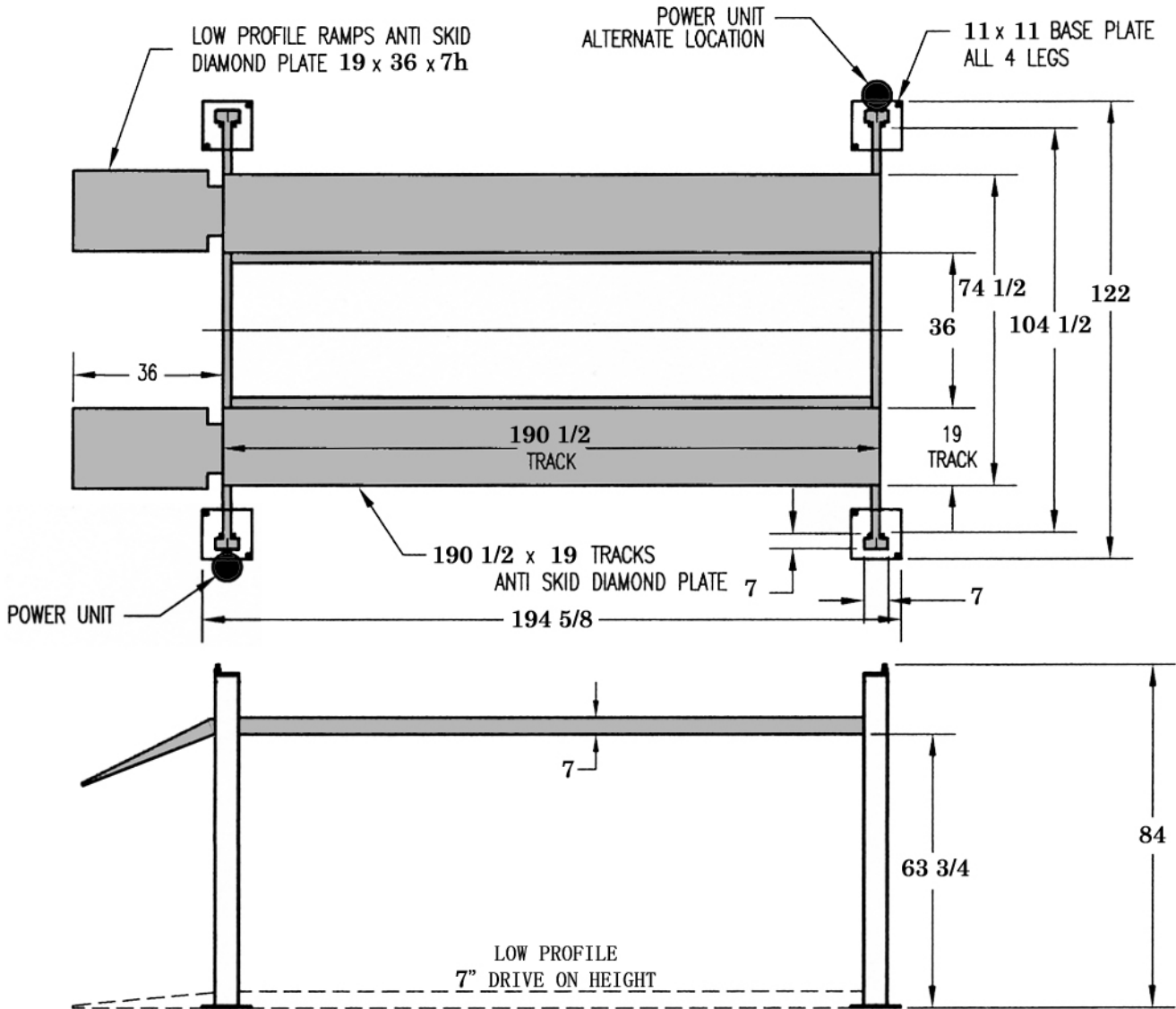


TEC-10FP



SPECIFICATIONS SUBJECT TO CHANGE WITHOUT NOTICE OR LIABILITY