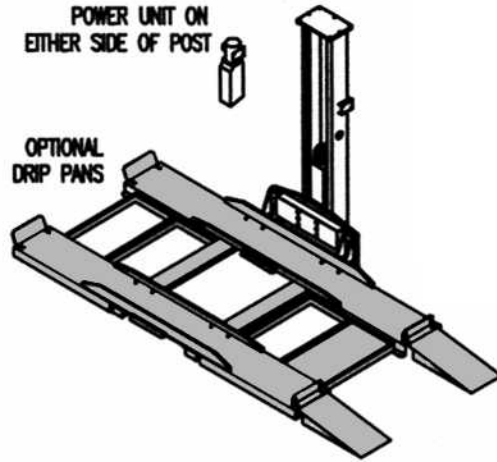


TEC-4500SP / TEC-7000SP



4500SP / 7000SP SPECIFICATIONS

- 4500SP / 7000SP
- MAX CAPACITY.....4500 / 6500 LBS
 - OVERALL LENGTH.....191"
 - TRACK LENGTH.....152"
 - MAXIMUM WHEELBASE.....130"
 - MAX HEIGHT CLEAR.....70 1/2" / 82 1/2"
 - COLUMN HEIGHT.....113" / 143"
 - SPEED OF RISE.....60 SEC
 - RECOMMENDED CEILING HT.....144"
 - MINIMUM CEILING HT.....114" / 144"
 - MECHANICAL SAFETY LOCK
 - 208-230 V SINGLE PHASE POWER UNIT
 - CONCRETE: 3000 PSI, 4" THICK
 - REINFORCED WITH STEEL BAR, MESH

